

# Mighty Lampholder

A simple E27 lampholder made from solid hardwoods and high quality components. The mini lampholder is perfect as a statement piece for bedside tables and interior nooks, and works well in a large cluster.

## Technical Details

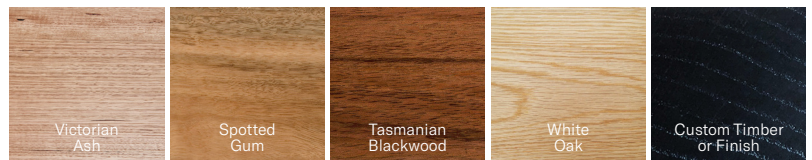
Application	Bedside Tables, Feature Pendant
Dimensions	ø80 x 270 (mm)
Material	Solid Hardwood, Glass Opal Bulb, E27 Lampholder, Textile Cord
Bulb	ø125mm Matte Opal Glass Flicker-free LED Bulb
Input Power	240V AC
CRI	90
Wattage	8W
Lumens	800lm
Colour Temperature	2700K or 3000K Warm White
Dimming	Yes



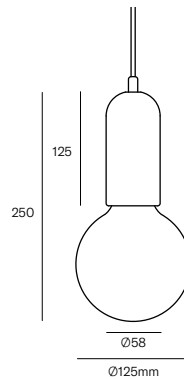
## Create a Custom Pendant

Pendant	Mighty Lampholder	MG
Timber	Victorian Ash Spotted Gum Tasmanian Blackwood White Oak Custom	VA SG TB WO C
Cable Colour	White Textile Black Textile Eucalyptus Terracotta Custom	WC BC EU TC CU
Gripper Colour	White Black Solid Brass Eucalyptus Terracotta Custom	WH BL BR EU TC CU
Ceiling Plate	Canopy Ø80	80
Ceiling Plate Colour	White Black Solid Brass Solid Copper Custom Powdercoat	W B C B P
Cable Drop Length	1.5m Standard Custom	1.5m __m

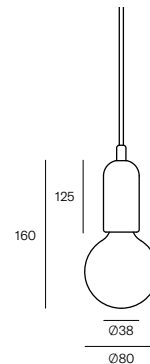
## Timber



## Dimensions

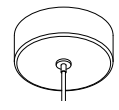


MIGHTY LAMPHOLDER



MINI LAMPHOLDER

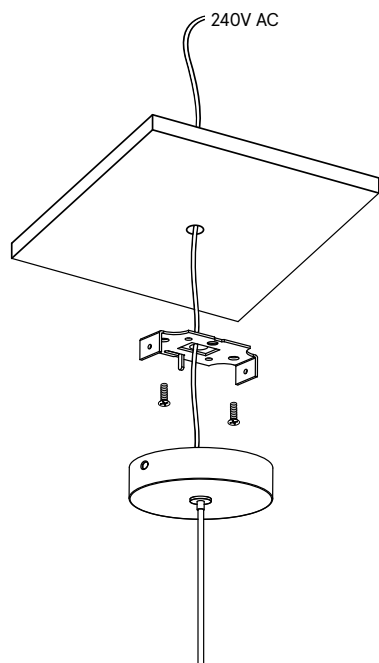
## Ceiling Plate



Canopy  
Ø80 x 25 mm

# Mighty Lampholder

## Ceiling Plate Details



Canopy  
Ø80 x 25mm

Suitable for full ceiling  
access to place the remote  
driver from above.

Cutout hole: 10-20mm