

# Mini Lampholder

A simple E14 lampholder made from solid hardwoods and high quality components. The mini lampholder is perfect for bedside tables and little interior nooks.

## Technical Details

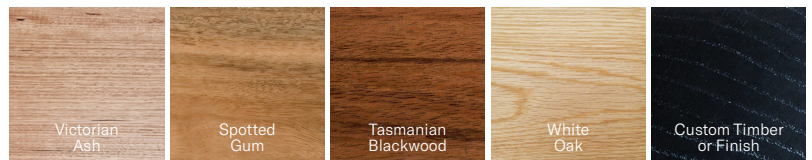
Application	Bedside Tables, Feature Pendant
Dimensions	ø80 x 160 (mm)
Material	Solid Hardwood, Glass Opal Bulb, E14 Lampholder, Textile Cord
Bulb	ø80mm Matte Opal Glass Flicker-free LED Bulb
Input Power	240V AC
CRI	90
Wattage	6W
Lumens	600lm
Colour Temperature	2700K Soft Warm White
Dimming	Yes



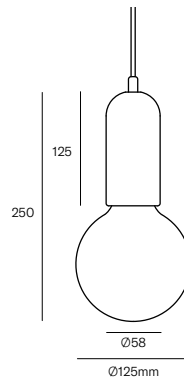
## Create a Custom Pendant

Pendant	Mini Lampholder	MN
Timber	Victorian Ash Spotted Gum Tasmanian Blackwood White Oak Custom	VA SG TB WO C
Cable Colour	White Textile Black Textile Eucalyptus Terracotta Custom	WC BC EU TC CU
Gripper Colour	White Black Solid Brass Eucalyptus Terracotta Custom	WH BL BR EU TC CU
Ceiling Plate	Canopy Ø80	80
Ceiling Plate Colour	White Black Solid Brass Solid Copper Custom Powdercoat	W B C B P
Cable Drop Length	1.5m Standard Custom	1.5m _m

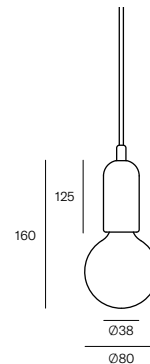
## Timber



## Dimensions

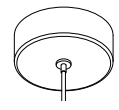


MIGHTY LAMPHOLDER



MINI LAMPHOLDER

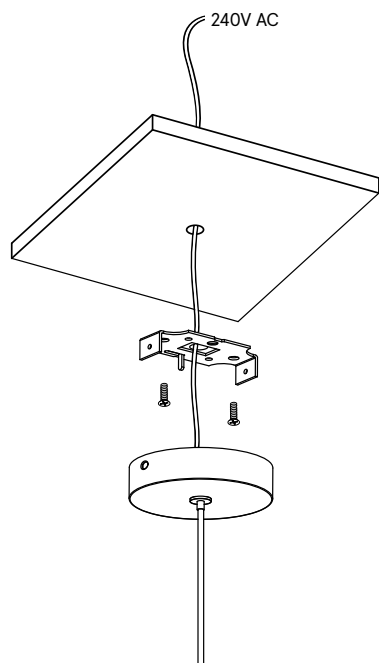
## Ceiling Plate



Canopy  
Ø80 x 25 mm

# Mini Lampholder

## Ceiling Plate Details



Canopy  
Ø80 x 25mm

Suitable for full ceiling  
access to place the remote  
driver from above.

Cutout hole: 10-20mm