

**Self-stabilises on  
uneven restaurant  
and cafe surfaces.**

**Award winning  
design.**



**GOOD  
DESIGN  
AWARD®  
GOLD WINNER**



**reddot award 2017  
winner**

**Patented  
technology.**

**Simple, robust  
mechanical design.**

**Mastering  
stabilising  
technology for  
over 25 years.**

**Instant  
stabilisation**

# Parkway T-Base



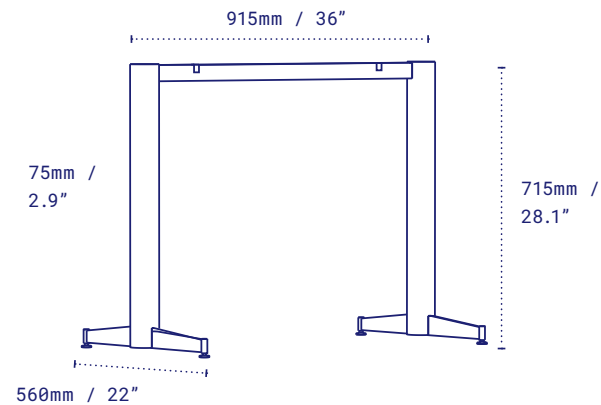
The NOROCK *Parkway T-Base* captures an industrial rawness. Angular and architectural, this popular base is now available in a twin. Perfect for your larger, rectangular tabletops and featuring our patented self-stabilising technology, the *Parkway T-Base* is compliant with the Americans with Disabilities Act Standards for Accessible Design (ADA).






## DETAILS

<b>Model</b>	Parkway
<b>Part number</b>	PTST22
<b>Material</b>	Zinc Plated Powder Coated Steel
<b>Base diameter</b>	915 x 560mm - 36 x 22"
<b>Style</b>	Dining Height
<b>Height excl. table top</b>	715mm / 28.1" Dining
<b>Column</b>	75mm / 2.9"
<b>Top plate</b>	Fixed
<b>Gross weight</b>	21.4kg - 47.2lbs
<b>Net weight</b>	19.5kg - 42.9lbs
<b>Carton measurement</b>	930 x 730 x 110mm - 36.6 x 28.7 x 4.3"
<b>Max recommended top size</b>	800 x 1550mm - 32 x 62" <input type="checkbox"/> Dining



Besk, West Leederville, Australia



-  Sandstone Black Part No: PTST22BK
-  Metallic Silver Part No: PTST22SI
-  White Part No: PTST22WH
-  Rust Part No: PTST22RU
-  Antique Bronze Part No: PTST22AB