

Lunar 17

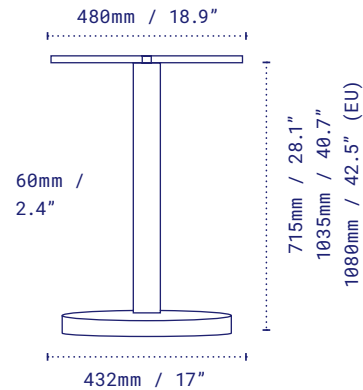


Woolpack Hotel, Sydney, Australia

The *Lunar* presents NOROCK's self-stabilising technology within a well-designed and unique disc-shaped base of zinc plated powder coated steel for added corrosion resistance. Perfect for a minimal and clean space.

DETAILS

Model	Lunar
Part number	LNST17
Material	Zinc plated powder coated steel
Base diameter	432mm - 17"
Style	Dining height / Bar height
Height excl. table top	715mm / 28.1" Dining 1035mm / 40.7" Bar 1080mm / 42.5" Bar (EU only)
Column	60mm - 2.4"
Top plate	Fixed
Gross weight	10.6kg - 23.4lbs
Net weight	9.3kg - 20.5lbs
Carton measurement	450 x 580 x 130mm - 17.7 x 22.8 x 5.1"
Max recommended top size	600mm / 24" <input type="checkbox"/> Dining 760mm / 30" <input type="checkbox"/> Dining 550mm / 22" <input type="checkbox"/> Bar 600mm / 24" <input type="checkbox"/> Bar



- Sandstone Black Part No: LNST17BK/B*
- Metallic Silver Part No: LNST17SI/B*
- White Part No: LNST17WH/B*
- Rust Part No: LNST17RU/B*
- Antique Bronze Part No: LNST17AB/B*

* / B denotes bar height

Lunar 21



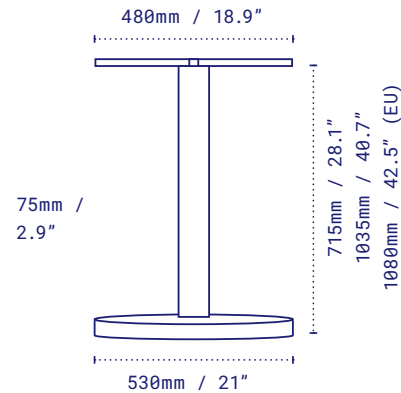
The *Lunar* presents NOROCK's self-stabilising technology within a well-designed and unique disc-shaped base of zinc plated powder coated steel for added corrosion resistance. Perfect for a minimal and clean space.

DETAILS

Model	Lunar
Part number	LNST21
Material	Zinc plated powder coated steel
Base diameter	530mm - 21"
Style	Dining height / Bar height
Height excl. table top	715mm / 28.1" Dining 1035mm / 40.7" Bar 1080mm / 42.5" Bar (EU only)
Column	75mm - 2.9"
Top plate	Fixed
Gross weight	15.8kg - 34.8lbs
Net weight	14.0kg - 30.8lbs
Carton measurement	550 x 550 x 150mm - 21.6 x 21.6 x 5.9"
Max recommended top size	760mm / 30" <input type="checkbox"/> Dining 860mm / 34" <input type="radio"/> Dining 600mm / 24" <input type="checkbox"/> Bar 760mm / 30" <input type="radio"/> Bar



White Elephant, Gnarabup, Australia



-  Sandstone Black Part No: LNST21BK/B*
-  Metallic Silver Part No: LNST21SI/B*
-  White Part No: LNST21WH/B*
-  Rust Part No: LNST21RU/B*
-  Antique Bronze Part No: LNST21AB/B*

* / B denotes bar height

Lunar 30



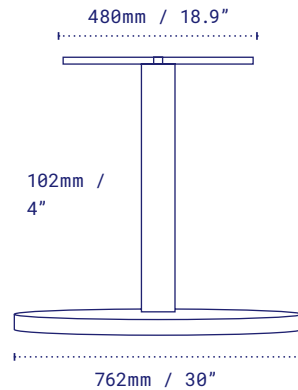
The *Lunar* presents NOROCK's self-stabilising technology within a well-designed and unique disc-shaped base of powder-coated steel with a zinc phosphate layer for added corrosion resistance. Perfect for a minimal and clean space.

DETAILS

Model	Lunar
Part number	LNST30
Material	Powder-coated steel with a zinc phosphate layer for added corrosion resistance
Base diameter	762mm - 30"
Style	Dining height
Height excl. table top	715mm / 28.1" Dining
Column	102mm - 4"
Top plate	Fixed
Gross weight	37kg - 81.5lbs
Net weight	34.25kg - 75.5lbs
Carton measurement	780 x 780 x 170mm - 30.7 x 30.7 x 6.7"
Max recommended top size	1219mm / 48" □ Dining 1500mm / 59" ○ Dining



Eagle Bay, Australia



- Sandstone Black Part No: LNST30BK
- Metallic Silver Part No: LNST30SI
- White Part No: LNST30WH
- Rust Part No: LNST30RU
- Antique Bronze Part No: LNST30AB