

# Array

## Wall Sconce

Pairing hand made solid timber panels with integral LED lighting, Array Sconce has a sleek narrow profile perfect for occasional interior spaces suiting a wall washing effect.

### Technical Details

Dimensions	320x 62w x 73h (mm)
Material	Solid Hardwood, Aluminium, Opal Acrylic, Integral LED Lighting
CRI	90
Wattage	9 Watts
Voltage	24V DC
Lumens	Approx. 250lm
Install	Installed with a remote driver. Must be installed by a licensed electrician.
Dimming	Not Dimmable as Standard DALI Dimming on Request
Warranty	3 Years

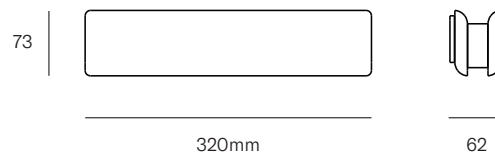


### Create a Custom UMBER Sconce

Design	Array Sconce	AS
Timber	Walnut Maple American Oak American Oak - Black Tasmanian Blackwood Victorian Ash Spotted Gum Blackbutt	WA MA AO AB TB VA SG BB
LED Colour Temperature	2700K 3000K 4000K	27K 3K 4K
Dimming Type	Non Dimming DALI	ND DD

Example code: AS - WA - 27K - ND

### Dimensions

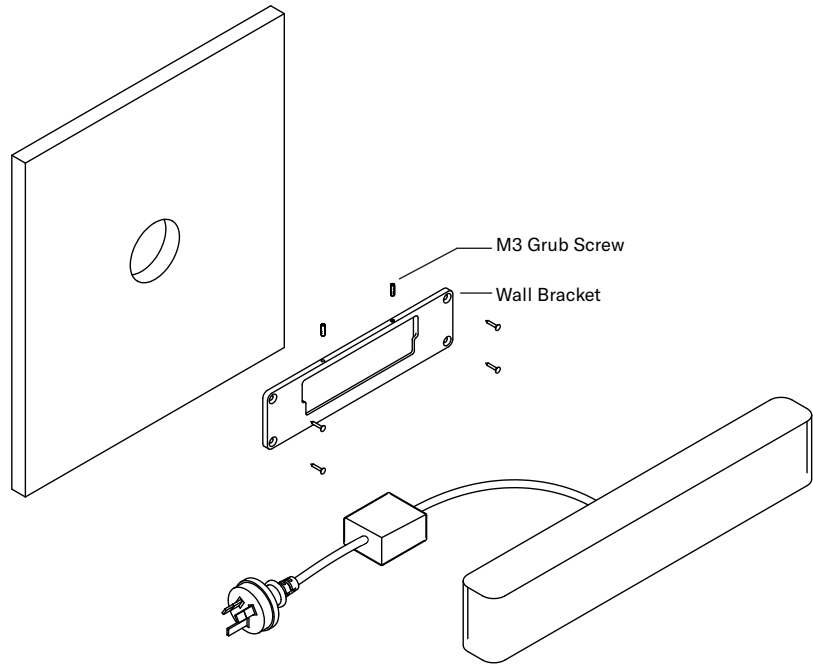


# Array

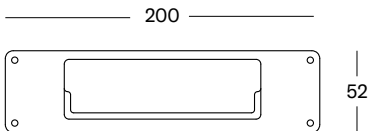
## Wall Sconce

### Installation Details

1. Prep the wall with an appropriate sized hole.
2. Screw the wall plate onto the wall with the appropriate fasteners for the wall material.
3. Terminate cables appropriately. The transformer needs to be accessible for maintenance purposes.
4. Mount the timber body to the wall plate using the attached bracket. Secure the two brackets together using the M3 grub screws. (A suitable hex key is supplied)
5. Test installation meets the requirements of AS/NZS 3000.



### Wall Bracket Dimensions



### Driver and Installation Details

