

Umber

Wall Sconce

Umber is a versatile wall sconce. A complimentary design of the Umber Pendant, available in custom timbers. Umber sconce can be installed as an up-light or down-light and features a recessed light source for low-glare ambient lighting.

Technical Details

Dimensions	300x 45w x 60h (mm)
Material	Solid Hardwood, Aluminium, Opal Acrylic, Integral LED Lighting
CRI	90
Wattage	4.7 Watts
Voltage	24V DC
Lumens	Approx. 250lm
Install	Installed with a remote driver. Must be installed by a licensed electrician.
Dimming	Phase Cut (Universal Dimming) Other dimming types on request
Warranty	3 Years

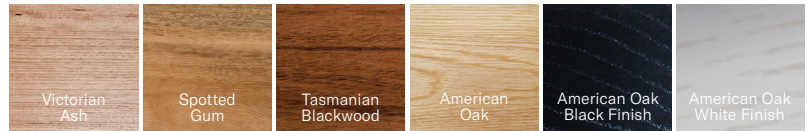
Create a Custom Umber Sconce

Sconce	Umber Sconce	US
Timber	Victorian Ash	VA
	Spotted Gum	SG
	Tasmanian Blackwood	TB
	American Oak	AO
	Walnut	WA
	Black Finish	BL
	White Finish	WH
LED Colour Temperature	2700K Warm White	27K
	3000K Bright Warm White	3K
	4000K Cool White	4K
Dimming Type	Phase Cut	PH
	DALI	DD

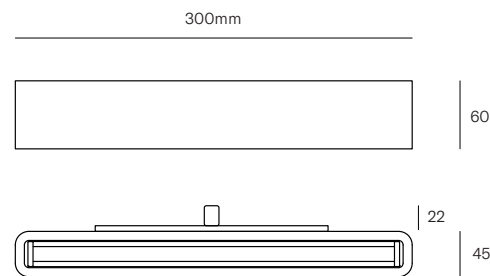
Example code: US - VA - 27K - PH



Timber



Dimensions

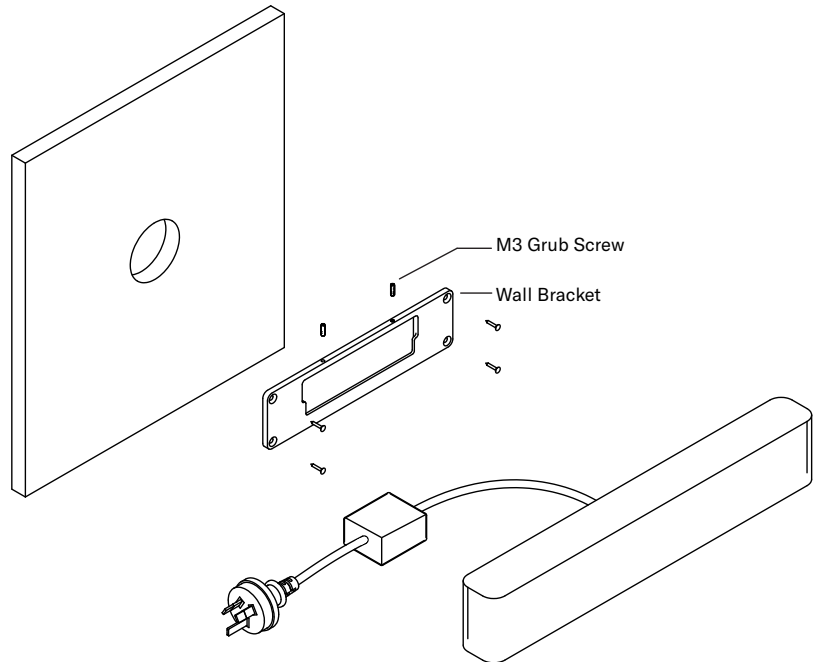


Umber

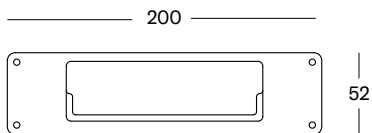
Wall Sconce

Installation Details

1. Prep the wall with a (minimum) 40mm hole.
2. Screw the wall plate onto the wall with the appropriate fasteners for the wall material.
3. Terminate cables appropriately. The transformer needs to be accessible for maintenance purposes.
4. Mount the timber body to the wall plate using the attached bracket. Secure the two brackets together using the M3 grub screws. (A suitable hex key is supplied)
5. Test installation meets the requirements of AS/NZS 3000.



Wall Bracket Dimensions



Driver and Installation Details

