

O Stool

Design by Dermot & Janelle Lenaghan

Technical Specifications



Beautifully simple, the 'O' stool is the result of careful reduction in material and form.

The minimal steel frame is balanced by the softened form of the solid oak seat, with the gentle dish ensuring comfort.

Strong, functional and understated, it comfortably sits well in the public, commercial and private environment.

Materials

Solid Oak or Uphostered Seat,
Powder coated Steel Tube & Plate,
Plastic feet

Dimensions (mm)

330ø Seat (w/ 8mm concave),
H 460, 660 & 760

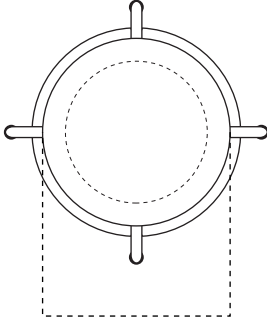
Finishes

Frame in black or white fine texture powder coat
Seat in standard kin wood finishes* see details
or upholstered in leather or wool

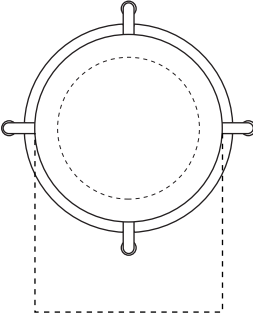
*Customisation of finishes possible for projects

O Stool

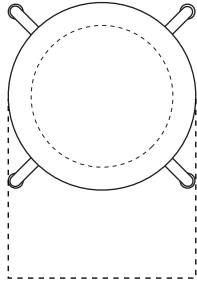
Technical Specifications



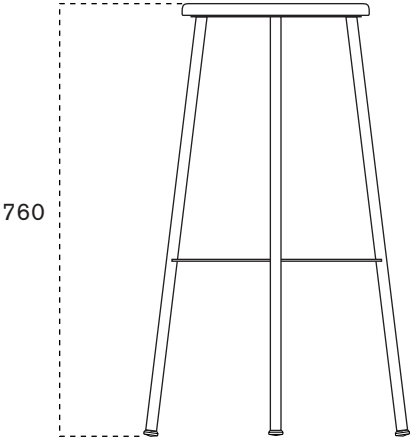
330ø



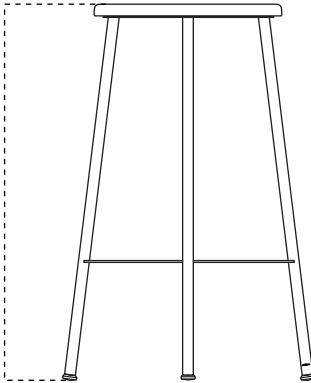
330ø



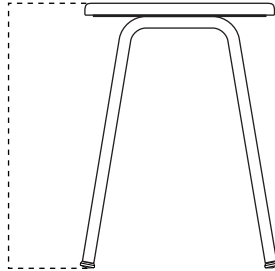
330ø



760



660



460

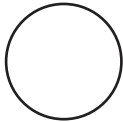
Standard Finishes

Technical Specifications

Powder Coated Steel



Black
fine texture
powder coat



White
fine texture
powder coat

Solid Oak



Black
lacquered
open pore



Neutral oil
(raw look)



Natural oil



Smoked oil

Leather



Cognac Aniline