

Fluted Roller

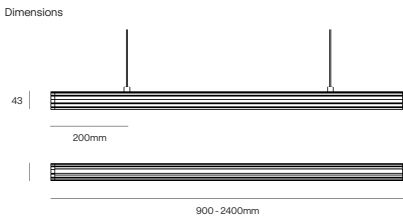
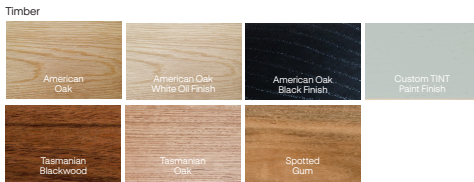
Linear Pendant

The Fluted Roller features a scalloped solid timber body. The fluted effect creates interesting timber grain detail, and defined highlights and shadows. Crafted in QLD, Australia.

Technical Details	
Dimensions	43mm dia
Material	Solid Hardwood, Aluminium, Opal Acrylic, Integral LED Lighting
CRI	90
Wattage	14.4W per metre
Lumens	1700lm per metre
Voltage	24V DC
Install	Installed with a remote driver. Must be installed by a licensed electrician
Dimming	Phase Cut (Universal Dimming) DALI
Warranty	3 Years

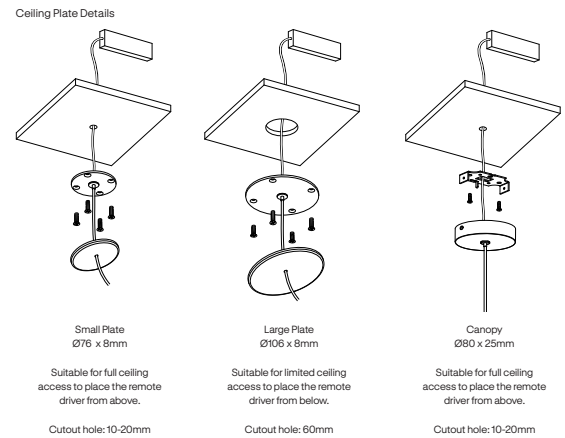
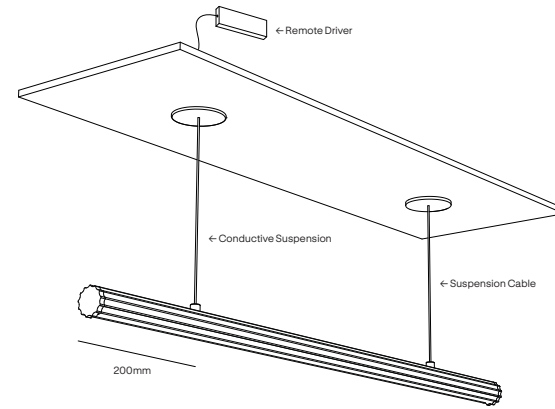


Create a Custom Pendant		
Design	Fluted Roller	FR
Timber	Tasmanian Oak	TO
	Spotted Gum	SG
	Tasmanian Blackwood	TB
	American Oak	AO
	American Oak - Black Finish	AB
Length	American Oak - White Oil Finish	AWO
	Custom Tint Paint Finish	TINT
	900mm	L9
Gripper & End Cap Colour	1200mm	L12
	1500mm	L15
	1800mm	L18
	2000mm	L20
	2200mm	L22
	2400mm	L24
	Black	BR
White	WH	
Stainless Steel	SS	
Gold Pearl	GP	
Pale Bronze	PB	
Medium Bronze	MB	
Aged Brass	AB	
Pale Eucalypt	PE	
LED Colour Temperature	2700K	27K
	3000K	3K
	4000K	4K
Dimming Type	Phase-Cut (Standard)	PH
	DALI	DD
Ceiling Plate	Small Plate Ø76	76
	Large Plate Ø106	106
	Canopy Ø80	80
Ceiling Plate Colour	White	W
	Black	B
Cable Colour	Silver	SC
	Black	BC
	White	WC
Drop Length	1.5m Standard	1.5m
	Custom	—m



Fluted Roller

Linear Pendant



Installation Notes:
All height adjustments are on the ceiling plate, do not adjust the cable at the gripper (fixed to the timber).

*Please advise if the installation is on a pitched ceiling.
A flexible knuckle will be provided on the ceiling plate for this installation.