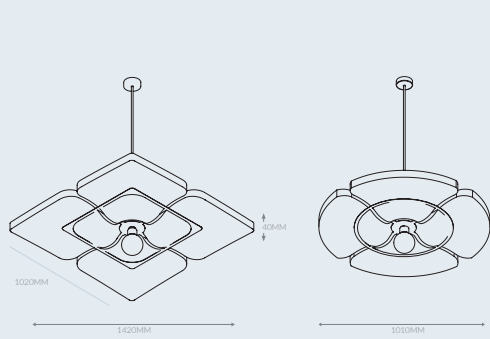
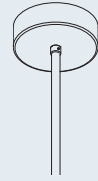


DIMENSIONS



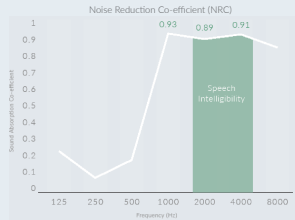
CANOPY DETAILS



C1 comes as standard.
Colour: Black

Input voltage: 240v
Luminous Flux: 800 lm / 1400+ lm
Recommended light source: BW/12W G125 E27 Opal Matte bulb
Max 12W LED E27 bulb to be used

Colour rendering index: >90
Suspension weight: 4kg
Boxed weight: 4.6kg
Colour temperature: 3000k (Warm white)



Results: Reverberation Times, Acoustic Performance and Absorption Co-efficient

Frequency (Hz)	23/10/2019 Measured Reverberation Time (seconds)	06/11/2019 Measured Reverberation Time (seconds)	Difference In acoustic performance (in Sabins)	Calculated absorption coefficient of tested light fittings
125	0.93	0.78	1.4	0.24
250	0.78	0.74	0.4	0.07
500	0.55	0.49	1.0	0.17
1k	0.60	0.40	5.4	0.93
2k	0.57	0.40	5.2	0.89
4k	0.60	0.47	5.3	0.91
8k	0.47	0.54	4.9	0.85

For additional information on acoustic testing please visit the Sound Lab on our website or request full testing reports.

SPECIFYING INFORMATION

Projects are complex. In order to preserve the correct details being passed from one contractor to the next over the course of your project, please use the following information in your schedule to specify our lights.

QUANTITY	PROFILE	LIGHT SOURCE	COLOUR	SUSPENSION WIRE KIT
Eg. 3	SQ	BLB 12W	OG	SWK

SPECIFYING OPTIONS KEY

PROFILE	LIGHT SOURCE	COLOURS	SUSPENSION WIRE KIT (RECOMMENDED)
SQ Square	BLB Bulb E27 8W 3000k	OG Olive Green	SWK 4x 1500mm wires with ceiling mounts
RND Round	BLB Bulb E27 12W 3000k	VP Vibrant Purple	N Not required
	AC Acoustic only (No light source)	RG Rouge	
		MD Mustard	
		LP Latid Pink	
		LH Light Grey	
		BO Burnt Orange	
		SB Steel Blue	



FLAT PACK REQUIRES 10 MINUTE ASSEMBLY

Please scan the QR code for a guided assembly instruction video. Diagramatic assembly instructions are included in the box.

END-OF-LIFE MANAGEMENT PROGRAM

We ask that products are returned to Acustico Lighting. We have agreements in place with our suppliers who commit to upcycling approximately 80% of the materials.

SUSPENSION

Our standard cord length is 1500mm and can be altered to the appropriate length on-site. A suspension wire kit with 4 small ceiling mounts is available and recommended for purchase (\$65 + GST) if additional stability is required (retrofitting this is possible). Must be installed by a licenced electrician in accordance with AS/NZS 3000.

All of our products are individually assembled meaning minor variations in finish, colour and profile can occur. Slight variations are to be expected and will not be accepted as a fault or defect in the product. Colours and finishes as viewed on printed and digital sources are representative only and may not appear identical to the finished product. Acustico Lighting reserves the right to change the specification, material and colours at any time without notice. Standard warranty terms and conditions apply. All rights reserved. © June 2023