

Roller

Linear Pendant

The Roller is a classic dowel pendant with a subtle curved edge to catch the LED light and create a unique gradient effect. A versatile cylindrical pendant crafted from bespoke timbers. Made in Queensland, Australia.

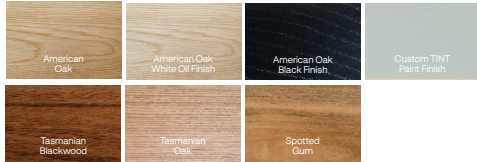
Technical Details	
Dimensions	43mm dia
Material	Solid Hardwood, Aluminium, Opal Acrylic, Integral LED Lighting
CRI	90
Wattage	14.4W per metre
Lumens	1700lm per metre
Voltage	24V DC
Install	Installed with a remote driver. Must be installed by a licensed electrician
Dimming	Phase Cut (Universal Dimming) DALI
Warranty	3 Years



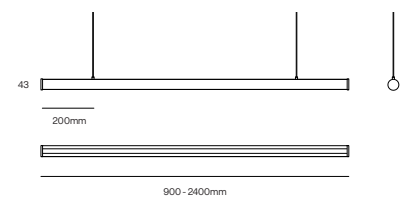
Create a Custom Pendant

Design	Roller	RO
Timber	Tasmanian Oak	TO
	Spotted Gum	SG
	Tasmanian Blackwood	TB
	American Oak	AO
	American Oak - Black Finish	AB
Length	900mm	L9
	1200mm	L12
	1500mm	L15
	1800mm	L18
Gripper & End Cap Colour	Black	BR
	White	WH
	Stainless Steel	SS
	Gold Pearl	GP
	Pale Bronze	PB
LED Colour Temperature	2700K	27K
	3000K	3K
	4000K	4K
	Dimming Type	Phase-Cut (Standard) DALI
Ceiling Plate	Small Plate Ø76	76
	Large Plate Ø106	106
	Canopy Ø80	80
Ceiling Plate Colour	White	W
	Black	B
Cable Colour	Silver	SC
	Black	BC
	White	WC
Drop Length	1.5m Standard	1.5m
	Custom	—m

Timber

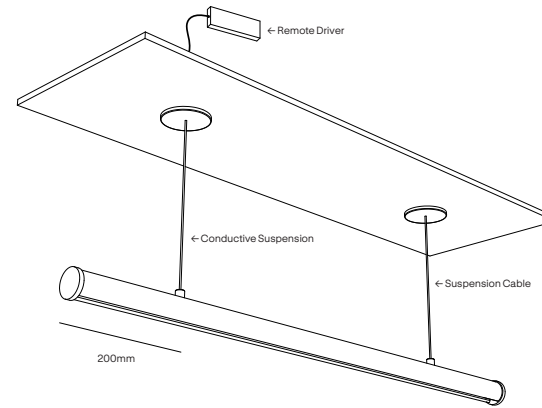


Dimensions

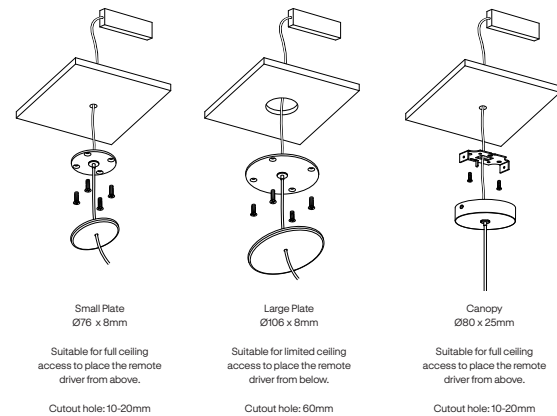


Roller

Linear Pendant



Ceiling Plate Details



Installation Notes:

All height adjustments are on the ceiling plate, do not adjust the cable at the gripper (fixed to the timber).

The grub screw at the gripper barrel is not to be adjusted. Adjusting this component can damage the power cable, and void the warranty.

*Please advise if the installation is on a pitched ceiling.

A flexible knuckle will be provided on the ceiling plate for this installation.