

# Umber

## Wall Sconce

Umber is a versatile wall sconce. A complimentary design of the Umber Pendant, available in custom timbers. Umber sconce can be installed as an up-light or down-light and features a recessed light source for low-glare ambient lighting.

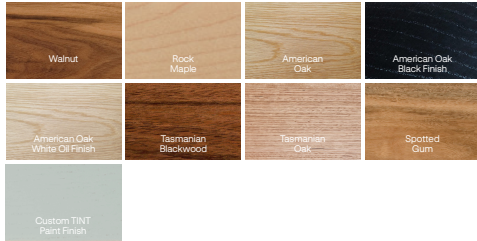
Technical Details	
Dimensions	300x 45w x 60h (mm)
Material	Solid Hardwood, Aluminium, Opal Acrylic, Integral LED Lighting
CRI	90
Wattage	4.5W
Voltage	24V DC
Lumens	Approx. 450lm
Install	Installed with a remote driver. Must be installed by a licensed electrician.
Dimming	Phase-Cut (Standard) DALI
Warranty	3 Years



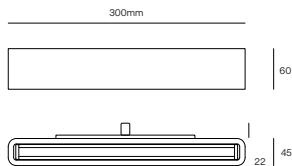
### Create a Custom Umber Sconce

Design	Umber Sconce	US
Timber	Walnut	WA
	Rock Maple	MA
	American Oak	AO
	American Oak - Black Finish	AOB
	American Oak - White Oil Finish	AOO
	Tasmanian Blackwood	TB
	Tasmanian Oak	TO
	Spotted Gum	SG
	Custom Tint Colour	TINT
	LED Colour	2700K
Temperature	3000K	3K
	4000K	4K
Dimming Type	Phase Cut	PH
	DALI	DD

### Timber



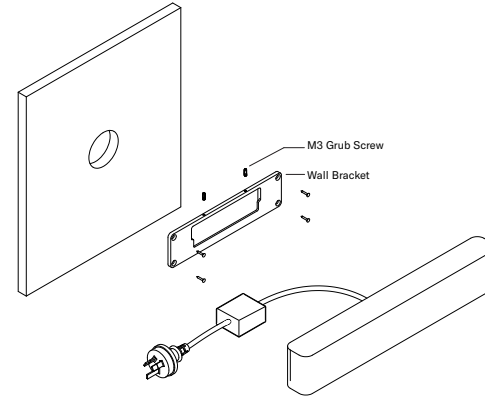
### Dimensions



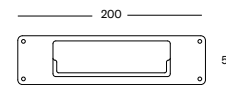
# Umber

## Wall Sconce

1. Prep the wall with a (minimum) 40mm hole.
2. Screw the wall plate onto the wall with the appropriate fasteners for the wall material.
3. Terminate cables appropriately. The transformer needs to be accessible for maintenance purposes.
4. Mount the timber body to the wall plate using the attached bracket. Secure the two brackets together using the M3 grub screws. (A suitable hex key is supplied)
5. Test installation meets the requirements of AS/NZS 3000.



### Wall Bracket Dimensions



### Driver and Installation Details

