

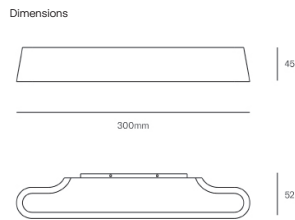
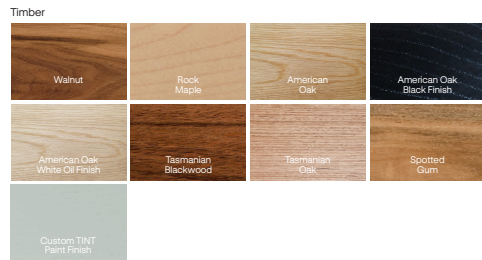
Tenn

Wall Sconce

The Tenn Sconce has a sleek shape which gets its name from the angle at which the profile is routed, a crisp Ten degrees. Crafted with a high-quality finish in Currumbin, QLD, Australia.

Technical Details	
Dimensions	300l x 40w x 45h (mm)
Material	Solid Hardwood, Aluminium, Opal Acrylic, Integral LED Lighting
CRI	90
Wattage	6W
Lumens	Approx. 500 Lumens
Voltage	24V DC
Install	Installed with a remote driver. Must be installed by a licensed electrician.
Dimming	Phase Cut (Universal Dimming) DALI
Warranty	3 Years

Create a Custom Pendant		
Design	Tenn Sconce	TS
Timber	Walnut Rock Maple American Oak American Oak - Black Finish American Oak - White Oil Finish Tasmanian Blackwood Tasmanian Oak Spotted Gum Custom Tint Colour	WA MA AO AOB ACO TB TO SG TINT
LED Colour Temperature	2700K 3000K 4000K	27K 3K 4K
Dimming Type	Phase Cut DALI	PH DD

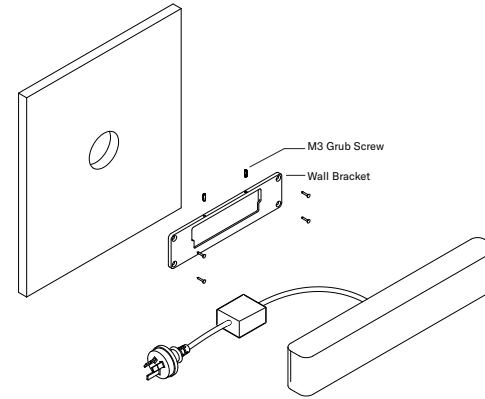


Tenn

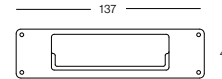
Wall Sconce

Installation Details

1. Prep the wall with a (minimum) 40mm hole.
2. Screw the wall plate onto the wall with the appropriate fasteners for the wall material.
3. Terminate cables appropriately. The transformer needs to be accessible for maintenance purposes.
4. Mount the timber body to the wall plate using the attached bracket. Secure the two brackets together using the M3 grub screws. (A suitable hex key is supplied)
5. Test installation meets the requirements of AS/NZS 3000.



Wall Bracket Dimensions



Driver and Installation Details

